

INDUSTRIAL DIESEL ENGINE

KUBOTA 07 SERIES (4-cylinder)

V2607-DI-E3B



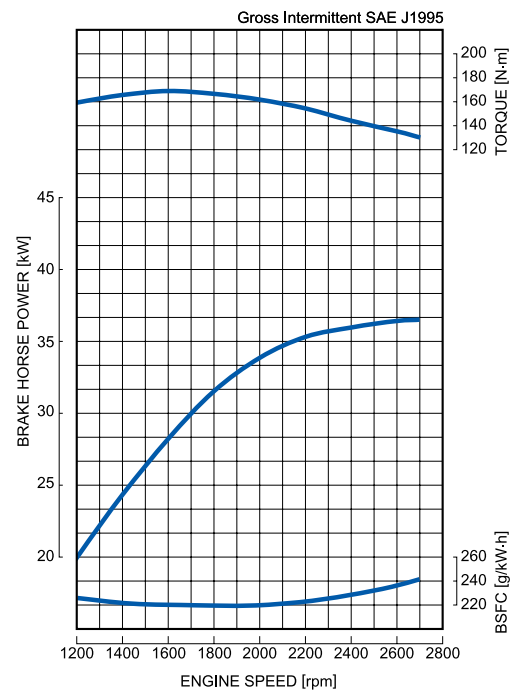
RATED POWER

36.5kW@2700rpm



Photographs may show non-standard equipment.

PERFORMANCE CURVE



FEATURES and BENEFITS

New Concept

- The Kubota 07 Series is a totally new concept in engine design developed with various requirements necessary for a wide range of industrial applications.
- Kubota's unique cylinder block design was developed using Kubota's original casting technology. The engine package is smaller than that of the current 2.4L engine but yet the displacement is larger.
- The improved cooling system with a main water gallery and water passages between cylinder bores as a countermeasure against heat load provides high power density, superior endurance and a reliable Kubota 07 Series.
- The Kubota 07 Series completes Kubota's seamless range up to 100 hp.

Emissions

- The V2607-DI naturally aspirated engine complies with EPA Interim Tier 4 emissions regulations that are effective through the end of 2012. This engine also complies with EU Stage IIIA requirements that are effective through 2012 and beyond in the European market.

Clean and Quiet Power

- For a more complete combustion, Kubota increased the fuel injection pressure. Kubota achieves a 50% lower particulate matter (PM) level, the same stringent level as above the 37kW class (EPA Interim Tier 4 Option1).
- These new engines have been designed to reduce transmitted vibrations and radiated sound, resulting in lower noise levels. Operator and environmentally friendly, the Kubota 07 Series begins a new era of Kubota's engine design.

Option

- A Side PTO option is available. This engine offers power take-off (PTO) from a gear train located on the flywheel side designed for compact positioning of PTO hydraulic devices.
- Fan positions are available in two heights to adapt to various equipment configurations.

GENERAL SPECIFICATION

Model		V2607-DI-E3B
Emission Regulation		Interim Tier 4 / Stage III A
Type		Vertical 4-cycle Liquid Cooled Diesel
Number of Cylinders		4
Bore	mm (in)	87.0 (3.43)
Stroke	mm (in)	110 (4.33)
Displacement	L (cu.in)	2.615 (159.6)
Combustion System		DI
Intake System		Naturally Aspirated
Maximum Speed	rpm	2700
Output: Gross Intermittent ISO 3046	kW	36.5
	hp	48.9
	ps	49.6
Direction of Rotation		Counterclockwise Viewed on Flywheel
Oil Pan Capacity	L (gal)	10.2 (2.69)
Starter Capacity	V-kW	12-2.5
Alternator Capacity	V-A	12-60
Length	mm (in)	650.0 (25.59)
Width	mm (in)	475.0 (18.70)
Height (1)	mm (in)	640.0 (25.20)
Height (2)	mm (in)	221.1 (8.70)
Dry Weight	kg (lb)	225.0 (496.0)

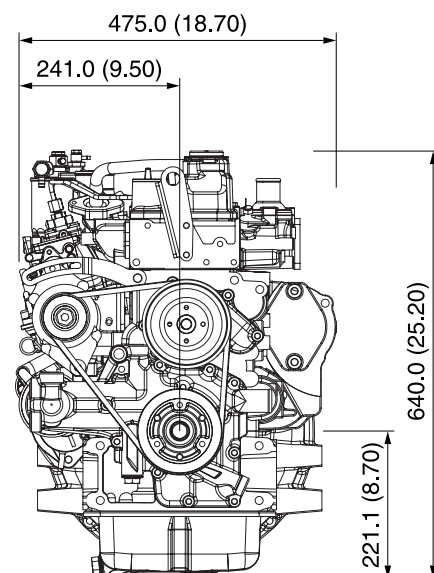
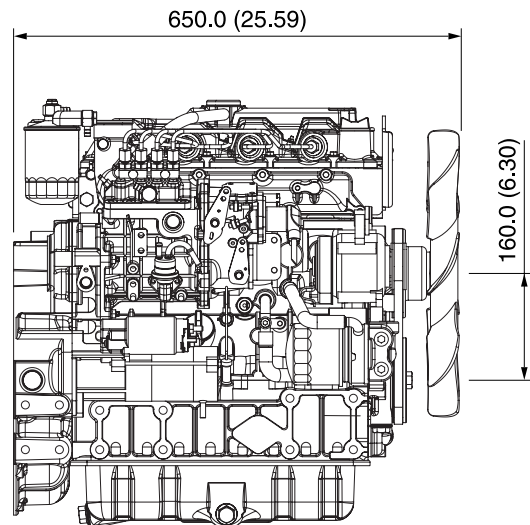
*Specification is subject to change without notice.

*Output: Gross Intermittent SAE J1995

*Dry weight is according to Kubota's standard specification.

When specification varies, the weight will vary accordingly.

DIMENSIONS



KUBOTA Corporation

2-47, Shikitsuhigashi 1-chome, Naniwa-ku, Osaka, 556-8601 Japan

Fax: 06-6648-3521

<http://engine.kubota.co.jp>